

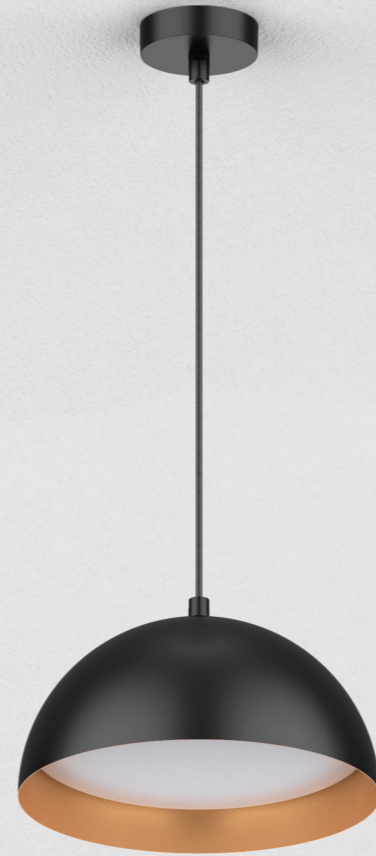
Entry /ECO

Standard /STD

Professional/PRO

ODM & OEM

Intelligent/INT



LED Pendant Light  
PD175 Series



## Introduction

This is a perfect industrial style light, the harmonious combination of metallic surface and convex inside makes this industrial pendant light a classy decor. It adopts high efficiency SMD light source, the brightness through white/gold frame and diffuse reflection to reach a soft and uniform light output. The big PC cover is highly recognizable with the elegant metallic lampshade, the visual perception of the whole lamp is pretty mature and advanced. Three color combinations: White surface+white inner ring, black surface+golden inner ring, white surface+golden inner ring.

## Features

- A version is Semi ellipsoid, B version is hemispheric shape
- Convenient installation pack: canopy, a 1500mm cord with base cap
- Elegant shape can be coordinated with a variety of use environments
- Create an atmosphere through diffuse reflection, emphasizing the sense of decoration and line design
- Internal flicker free driver
- Dimming way: Triac, DALI

## Application Areas

It's best suited for dining table, kitchen, balcony, bar table, gifts shop, cafe, museum etc.

PD175A



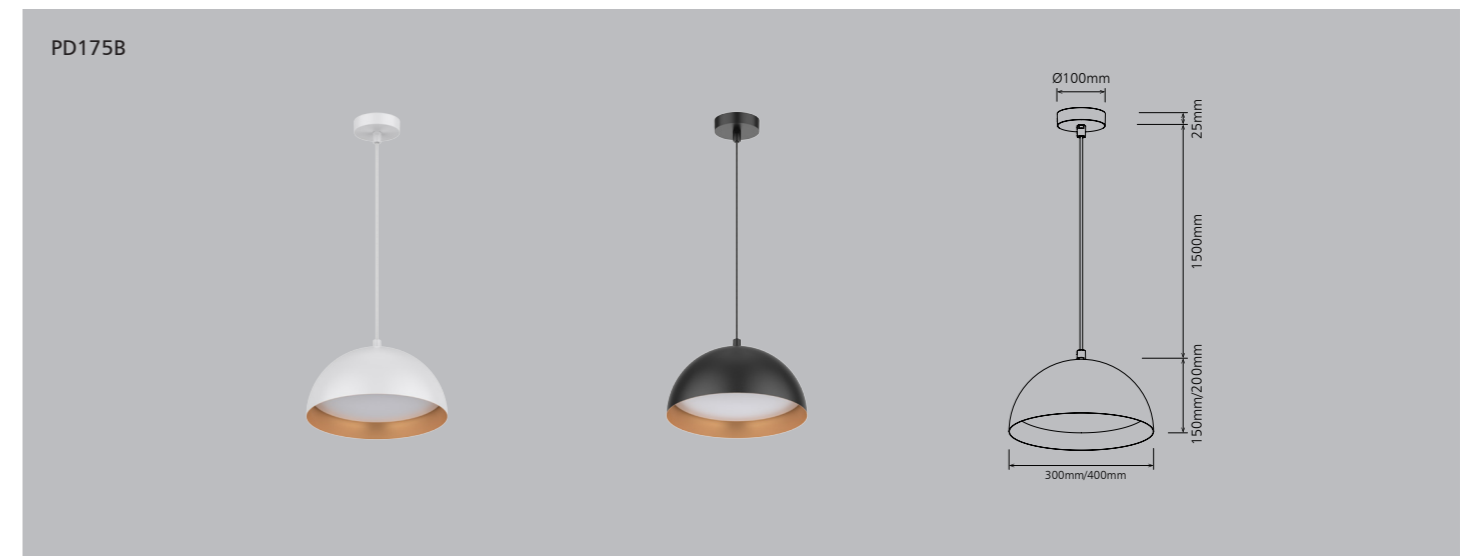
PD175B





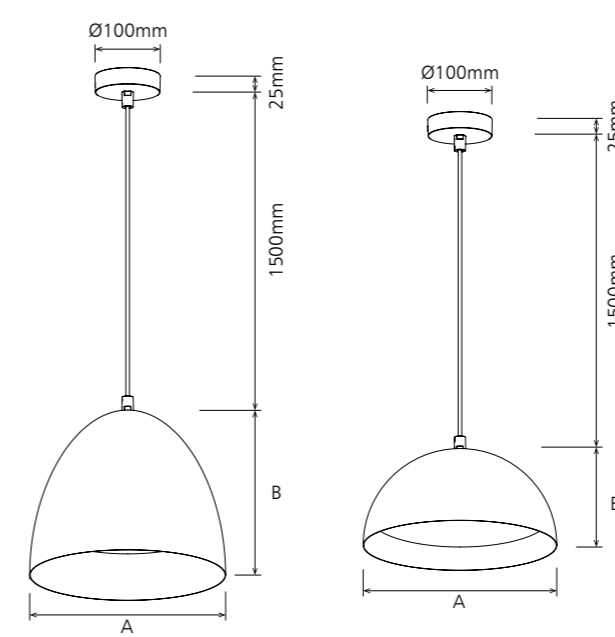
### Technical Data Sheet(Inner Golden Version)

Code	PD175A-12-10W	PD175A-12-18W	PD175A-16-18W	PD175A-16-25W		
Dimension(mm)	Ø300*258	Ø300*258	Ø400*345	Ø400*345		
Cutout (mm)	-					
Watt(W)	10W	18W	18W	25W		
Rated Input Voltage	AC220-240V					
Input Voltage	AC198-264V					
LED Module Input	-					
Light Source	SMD					
SDCM	<6					
CCT(K)	1-CCT: 3000K/4000K/5000K/5700K					
CCT Selection DIP Switch	NO					
Luminous Flux (lm) ±5% CRI80	1-CCT	Non-DIM	650-900	1500-1660	1600-1800	2050-2450
		DIM	600-900	1300-1750	1300-1700	2000-2450
	3-CCT	Non-DIM	-			
		DIM	-			
CRI	80					
Beam Angle (°)	100°					
UGR	-					
LED Driver	Driver built-in					
Dimming Option	Triac / DALI					
Sensor	-					
Emergency Kits	No					
Electrical Class	Class I					
Ingress Protection(IP Rating)	IP20					
Impact Resistance(IK Rating)	-					
Product Finishing	Black RAL9005+Golden RAL1034; White RAL9016+Golden RAL1034					
Optics Material	PC					
Housing Material	Iron					
Lifetime (hr)	50,000h					
Glow wire test (°C)	750°C					
Operating Temp.(°C)	-20°C~40°C					
Storage Temp.(°C)	-20°C~65°C					
Installation	Pendant					



### Technical Data Sheet(Inner Golden Version)

Code	PD175B-12-10W	PD175B-12-18W	PD175B-16-18W	PD175B-16-25W		
Dimension(mm)	Ø300*150	Ø300*150	Ø400*200	Ø400*200		
Cutout (mm)	-					
Watt(W)	10W	18W	18W	25W		
Rated Input Voltage	AC220-240V					
Input Voltage	AC198-264V					
LED Module Input	-					
Light Source	SMD					
SDCM	<6					
CCT(K)	1-CCT: 3000K/4000K/5000K/5700K					
CCT Selection DIP Switch	NO					
Luminous Flux (lm) ±5% CRI80	1-CCT	Non-DIM	650-900	1500-1870	1600-1950	2050-2550
		DIM	600-900	1300-1850	1300-1850	2000-2450
	3-CCT	Non-DIM	-			
		DIM	-			
CRI	80					
Beam Angle (°)	100°					
UGR	-					
LED Driver	Driver built-in					
Dimming Option	Triac / DALI					
Sensor	-					
Emergency Kits	No					
Electrical Class	Class I					
Ingress Protection(IP Rating)	IP20					
Impact Resistance(IK Rating)	-					
Product Finishing	Black RAL9005+Golden RAL1034; White RAL9016+Golden RAL1034					
Optics Material	PC					
Housing Material	Iron					
Lifetime (hr)	50,000h					
Glow wire test (°C)	750°C					
Operating Temp.(°C)	-20°C~40°C					
Storage Temp.(°C)	-20°C~65°C					
Installation	Pendant					



## Technical Data Sheet (Inner White Version)

Code	PD175A/B-12-10W	PD175A/B-12-18W	PD175A/B-16-18W	PD175A/B-16-25W		
Dimension(mm)	A:Ø300*258/B:Ø300*150	A:Ø300*258/B:Ø300*150	A:Ø400*345/B:Ø400*200	A:Ø400*345/B:Ø400*200		
Cutout (mm)	-					
Watt(W)	10W	18W	18W	25W		
Rated Input Voltage	AC220-240V					
Input Voltage	AC198-264V					
LED Module Input	-					
Light Source	SMD					
SDCM	<6					
CCT(K)	1-CCT: 3000K/4000K/5000K/5700K					
CCT Selection DIP Switch	NO					
Luminous Flux (lm) ±5% CRI80	1-CCT	Non-DIM	950-1200	1850-2200	1900-2200	2600-3000
		DIM	850-1100	1750-2100	1800-2100	2550-2900
	3-CCT	Non-DIM	-			
		DIM	-			
CRI	80					
Beam Angle (°)	100°					
UGR	-					
LED Driver	Driver built-in					
Dimming Option	Triac / DALI					
Sensor	-					
Emergency Kits	No					
Electrical Class	Class I					
Ingress Protection(IP Rating)	IP20					
Impact Resistance(IK Rating)	-					
Product Finishing	White RAL9016					
Optics Material	PC					
Housing Material	Iron					
Lifetime (hr)	50,000h					
Glow wire test (°C)	750°C					
Operating Temp.(°C)	-20°C~40°C					
Storage Temp.(°C)	-20°C~65°C					
Installation	Pendant					

## Measurement

Code	Dimension(mm)		Size(mm)	Product Weight (Kg)	Package weight (Kg)	Carton Size(cm)	Qty/CTN	20GP (pcs)	40HQ (pcs)
	A	B		N.W/PC	G.W/CTN				
PD175A-12	300	258	Ø300*258	2.2	3.45	36*36*42.5	1	450	1116
PD175A-16	400	345	Ø400*345	3.7	5.63	46*46*51	1	192	500
PD175B-12	300	150	Ø300*150	1.9	2.85	36*36*31	1	630	1488
PD175B-16	400	200	Ø400*200	2.9	4.90	46*46*36.5	1	288	700

## Driver Datasheet (Non-dimmable)

Total load wattage		10W	18W	25W
Output	Rated output current	270mA	480mA	650mA
	Output Voltage range	DC 28-40V		
	Line Regulation	±5%		
	Setup, Rise Time	<0.5S @230V		
	Flickering Index	≤ 1%(NO RISK)		
Input	Rated Input Voltage	AC220-240V		
	Input Voltage	AC198-264V		
	Frequency	50/60HZ		
	Rated Input Current	≤0.05A	≤0.1A	≤0.13A
	Input Current	≤0.06A	≤0.11A	≤0.14A
	Power Factor	0.9		
	THD	-		
	Efficiency	≥83%	≥85%	
Protection	No load wattage	<0.5W @230V		
	Short circuit protection	PASS		
	Over voltage protection	PASS		
	Over temperature protection	PASS		
Safety & EMC	Withstand voltage	I/P-FG:1.5KVac, <5mA 60S		
	Isolation Resistance	I/P-O/P: 500VDC, ≥4M Ω		
	Surge	EC/EN61000-4-5 (P < 25W; L-N:500V), L/N-PE:1KV)		IEC/EN61000-4-5 (P≥25w L-N:1KV), L/N-PE:2KV)
	EMC Emission	EN55015, EN61000-3-2		
	EMC Immunity	EN61000-4-2,3,4,5,6,8,11; EN61547		

## Driver Datasheet (Triac Dimmable)

Total load wattage		10W	18W	25W
Output	Rated output current	250mA	470mA	650mA
	Output Voltage range	DC30-40V		
	Line Regulation	±5%		
	Setup, Rise Time	≤500ms @230V		
	Flickering Index	<5%(LOW RISK)		
Input	Rated Input Voltage	AC220-240V		
	Input Voltage	AC198-264V		
	Frequency	50 Hz		
	Rated Input Current	≤0.06A	≤0.11A	≤0.14A
	Input Current	≤0.07A	≤0.12A	≤0.16A
	Power Factor	0.9		
	THD	-		
	Efficiency	≥82%	≥84%	≥85%
	No load wattage	<1W@230V		
	Protection	Short circuit protection	PASS	
Over voltage protection		PASS		
Over temperature protection		PASS		
Safety & EMC	Withstand voltage	I/P-FG:1.5kVac, <5mA 60S		
	Isolation Resistance	I/P-O/P: 500VDC, ≥2M Ω		
	Surge	IEC/EN61000-4-5 (P<25W; L-N:500V, L/N-PE:1KV)	IEC/EN61000-4-5 (P≥25w L-N:1KV, L/N-PE:2KV)	
	EMC Emission	EN55015, EN61000-3-2		
	EMC Immunity	EN61000-4-2,3,4,5,6,8,11; EN61547		

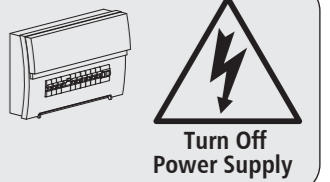
## Driver Datasheet (DALI Dimmable)

Total load wattage		10W	18W	25W
Output	Rated output current	250mA	475mA	675mA
	Output Voltage range	DC 30-40V		
	Line Regulation	±5%		
	Setup, Rise Time	<1S @230V		
	Flickering Index	≤1%(NO RISK)		
Input	Rated Input Voltage	AC220-240V		
	Input Voltage	AC198-264V		
	Frequency	50/60HZ		
	Rated Input Current	≤0.05A	≤0.1A	≤0.13A
	Input Current	≤0.06A	≤0.11A	≤0.14A
	Power Factor	0.9		
	THD	-		
	Efficiency	≥81%	≥86%	
	No load wattage	<0.5W @230V		
	Protection	Short circuit protection	PASS	
Over voltage protection		PASS		
Over temperature protection		PASS		
Safety & EMC	Withstand voltage	I/P-FG:1.5kVac, <5mA 60S		
	Isolation Resistance	I/P-O/P: 500VDC, ≥4M Ω		
	Surge	EC/EN61000-4-5 (P<25W; L-N:500V),L/N-PE:1KV)	IEC/EN61000-4-5 (P≥25w L-N:1KV),L/N-PE:2KV)	
	EMC Emission	EN55015, EN61000-3-2		
	EMC Immunity	EN61000-4-2,3,4,5,6,8,11; EN61547		

## Installation Procedure

### WARNING

1. Switch off before installation.
2. Switch on only after complete installation and examination of the circuit.
3. Professional electrician for installation and maintenance only.



## Surface mount installation

**Standard**

**DALI**

N=Neutral  
⊕=Earth  
L=Switched

- =DIM-  
+ =DIM+  
N=Neutral  
⊕=Earth  
L=Switched

Wire diameter: 0.5-2.5mm<sup>2</sup>  
Wire stripping length: 8-10mm

**COMPLETE**

**ECO**  
Specifications

**STD**  
Specifications

**PRO**  
Specifications

**ODM**  
Specifications

  
**INT**  
Intelligent

UPSHINE | *Up to Shine, there is life*  
光之上，是生活

▼ [www.upshine.com](http://www.upshine.com) [info@upshine.com](mailto:info@upshine.com) TEL: +86 755 2919 7332 ▼

Add: 2nd building Dingfeng High-Tech Zone, Fuyuan 1st road, Fu Yong Sub-district, Bao'an, Shenzhen China